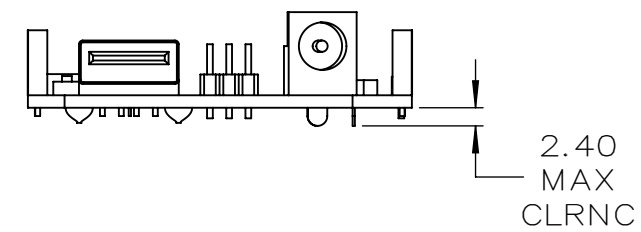
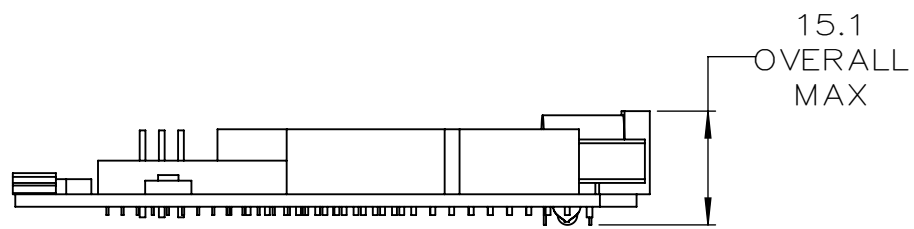
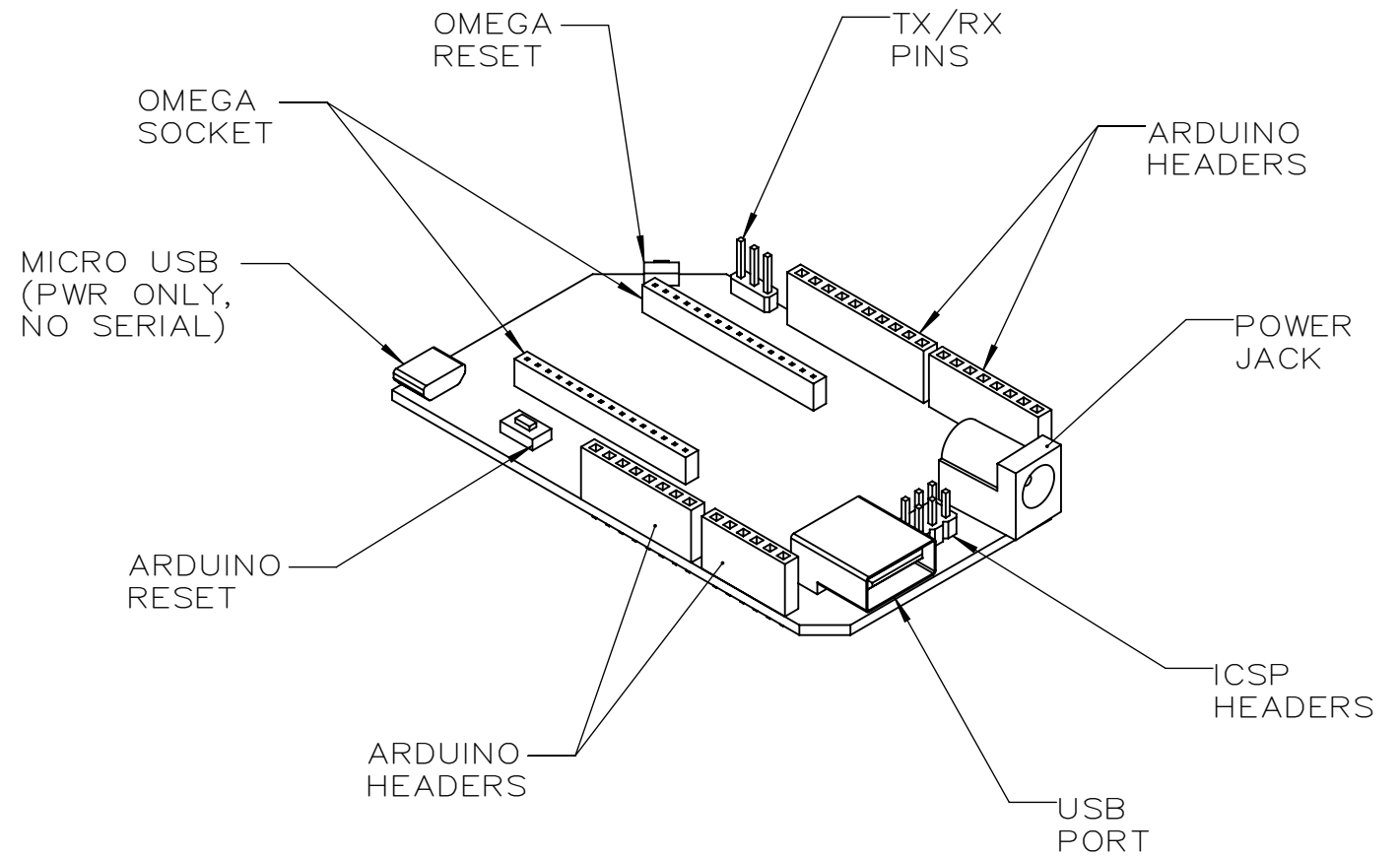
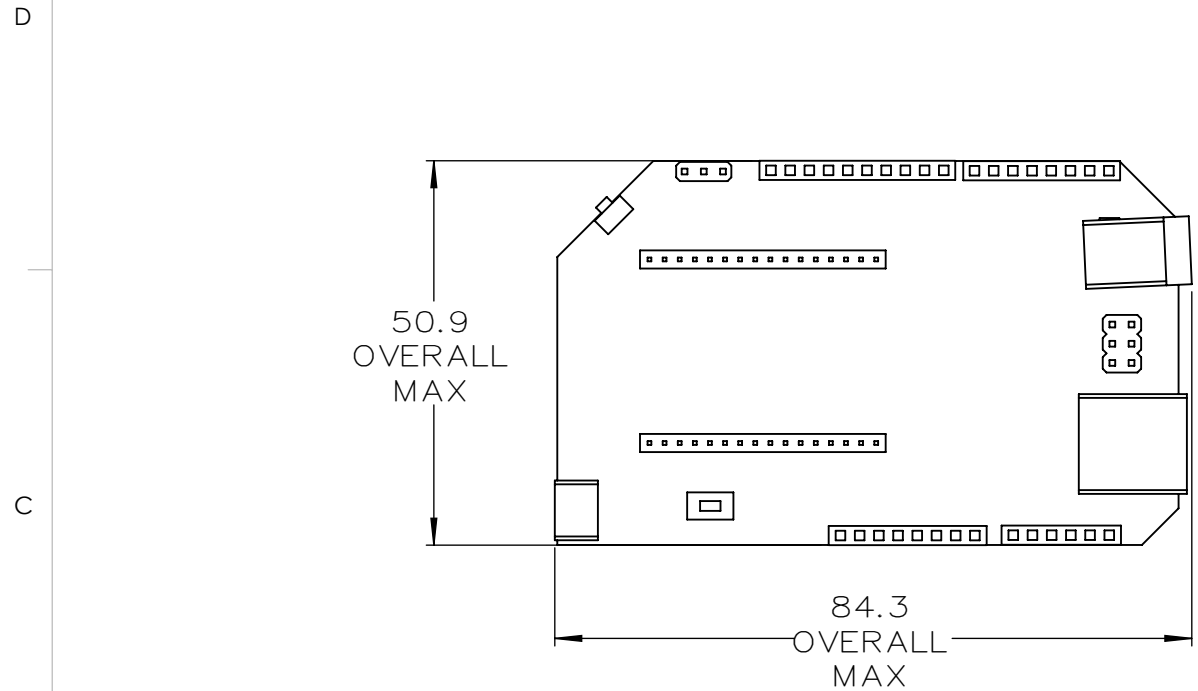


8 7 6 5 4 3 2 1



MAXIMUM DIMENSIONS AND COMPONENT DIAG.

ONLY MAJOR AND INTERFACING COMPONENTS SHOWN.  
 THRU-HOLE PINS MAY HAVE SOLDER AT THEIR BASES.  
 SLIGHT VARIATIONS MAY OCCUR DUE TO MFG.  
 FOR REFERENCE ONLY; THIS IS NOT A DESIGN GUIDE.

		DIMENSION IN MM UNLESS NOTED		THE INFORMATION CONTAINED IN THIS DRAWING IS THE SOLE PROPERTY OF ONION CORPORATION. ANY REPRODUCTION IN PART OR AS A WHOLE WITHOUT THE WRITTEN PERMISSION OF ONION CORPORATION IS PROHIBITED.	
		TOLERANCES		AUTHOR	DATE
		.X. ±0.1		GO	2016-03-18
		.XX ±0.06		CHECKED	DATE
		.XXX ±0.010		APPROVED	DATE
		ANG. MACH ±0.5°		PROJECTION TYPE	
		BEND ±1°			
		MATERIAL		TITLE	
		DO NOT SCALE DRAWING		ARDUINO DOCK	
NEXT ASSY	USED ON			PART NO.	REV.
				OM-D-ARD	A2
		SCALE	SIZE	SHEET	
		1:1	B	1 OF 6	



8 7 6 5 4 3 2 1

8 7 6 5 4 3 2 1

D

D

C

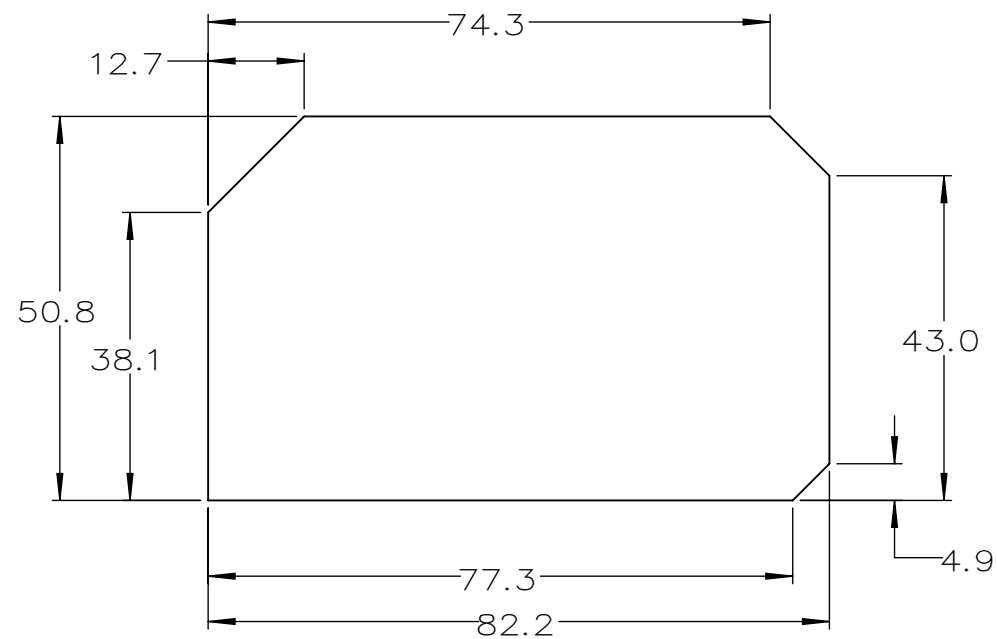
C

B

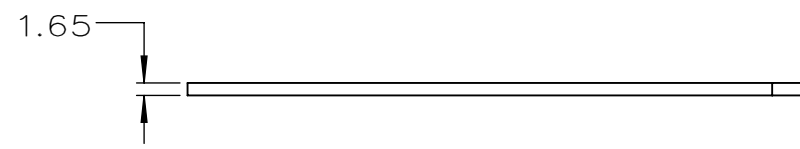
B

A

A


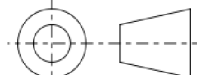


TOP VIEW



BOARD OUTLINE

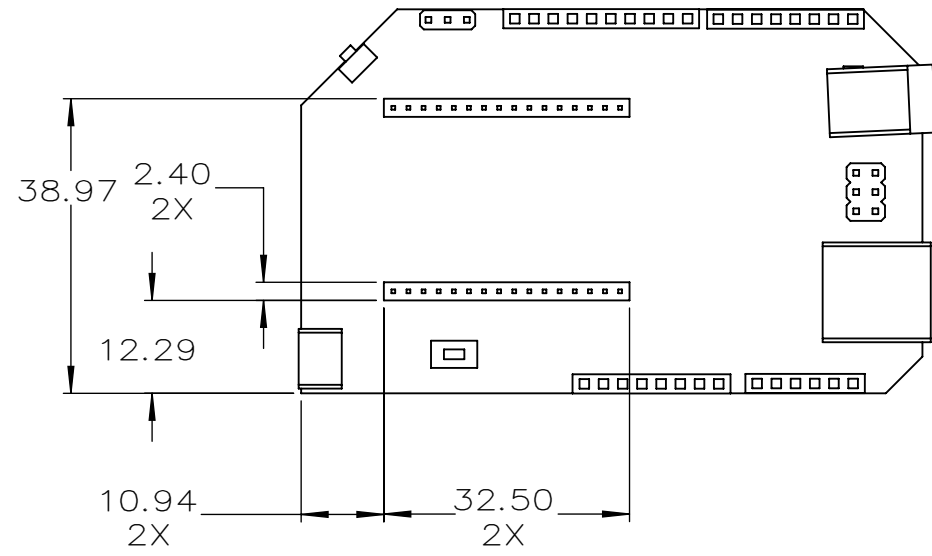
ONLY MAJOR AND INTERFACING COMPONENTS SHOWN.  
 THRU-HOLE PINS MAY HAVE SOLDER AT THEIR BASES.  
 SLIGHT VARIATIONS MAY OCCUR DUE TO MFG.  
 FOR REFERENCE ONLY; THIS IS NOT A DESIGN GUIDE.

		DIMENSION IN MM UNLESS NOTED	THE INFORMATION CONTAINED IN THIS DRAWING IS THE SOLE PROPERTY OF ONION CORPORATION. ANY REPRODUCTION IN PART OR AS A WHOLE WITHOUT THE WRITTEN PERMISSION OF ONION CORPORATION IS PROHIBITED.		
		TOLERANCES	AUTHOR	DATE	
		.X. ±0.1	GO	2016-03-18	
		.XX ±0.06	CHECKED	DATE	
		.XXX ±0.010	APPROVED	DATE	TITLE
		ANG.			ARDUINO DOCK
		MACH ±0.5°			PART NO.
		BEND ±1°			OM-D-ARD
		MATERIAL	PROJECTION TYPE		REV.
					A2
NEXT ASSY	USED ON	DO NOT SCALE DRAWING			SCALE
					1:1
					SIZE
					B
					SHEET
					2 OF 6

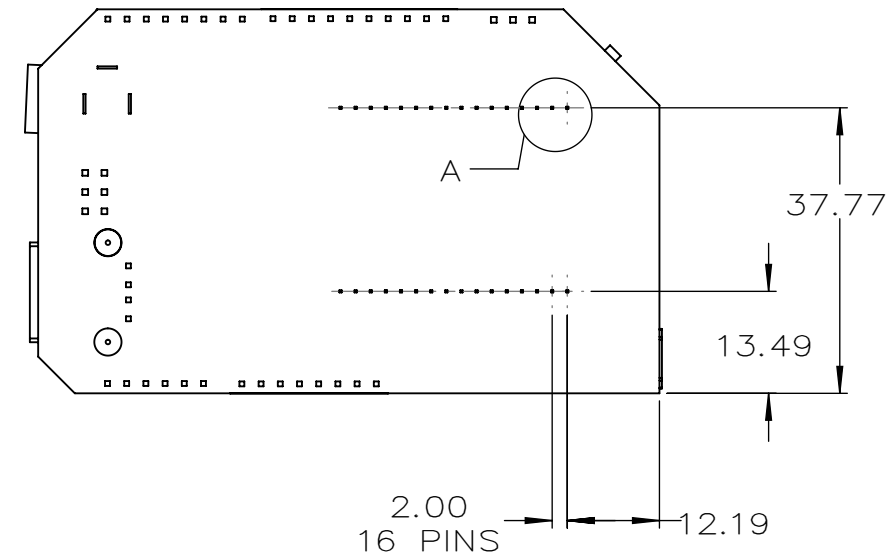
8 7 6 5 4 3 2 1

8 7 6 5 4 3 2 1

D



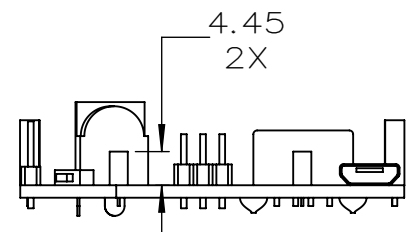
TOP VIEW



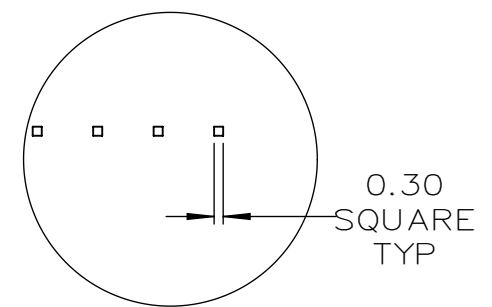
BOTTOM VIEW

C

B



SIDE VIEW



DETAIL A  
SCALE 4 : 1

OMEGA  
SOCKET AND PINS  
DIMENSIONS

A

ONLY MAJOR AND INTERFACING COMPONENTS SHOWN.  
THRU-HOLE PINS MAY HAVE SOLDER AT THEIR BASES.  
SLIGHT VARIATIONS MAY OCCUR DUE TO MFG.  
FOR REFERENCE ONLY; THIS IS NOT A DESIGN GUIDE.

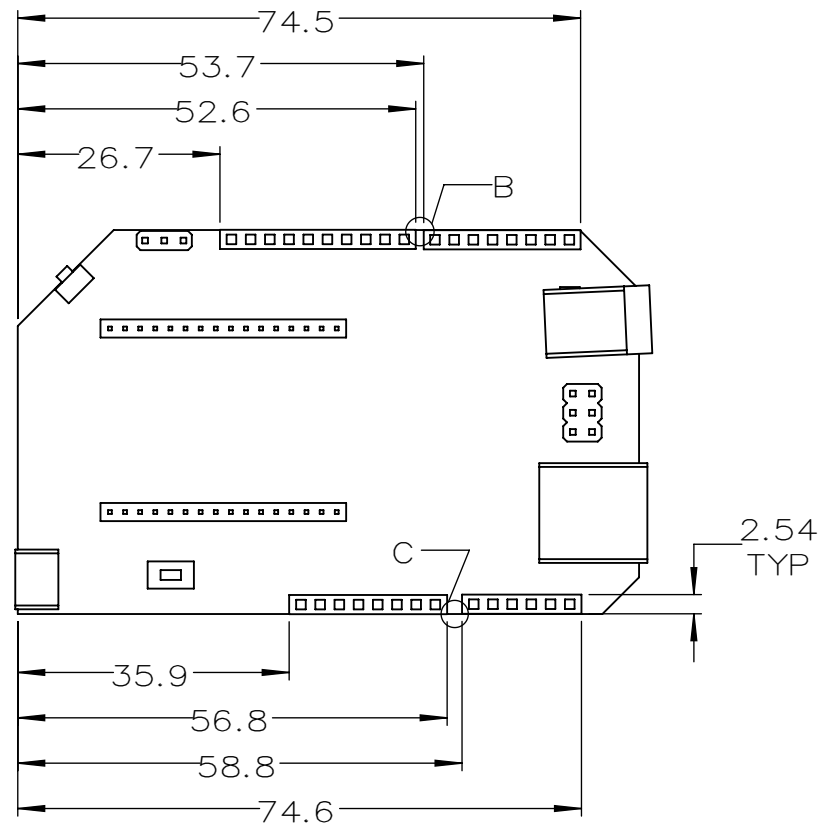
		DIMENSION IN MM UNLESS NOTED	THE INFORMATION CONTAINED IN THIS DRAWING IS THE SOLE PROPERTY OF ONION CORPORATION. ANY REPRODUCTION IN PART OR AS A WHOLE WITHOUT THE WRITTEN PERMISSION OF ONION CORPORATION IS PROHIBITED.		
		TOLERANCES	AUTHOR	DATE	
		.X. ±0.1	GO	2016-03-18	
		.XX ±0.06	CHECKED	DATE	
		.XXX ±0.010	APPROVED	DATE	TITLE
		ANG.			ARDUINO DOCK
		MACH ±0.5°	PROJECTION TYPE		PART NO.
		BEND ±1°			OM-D-ARD
		MATERIAL			REV.
		DO NOT SCALE DRAWING			A2
NEXT ASSY	USED ON				SCALE
					1:1
					SIZE
					B
					SHEET
					3 OF 6

8 7 6 5 4 3 2 1

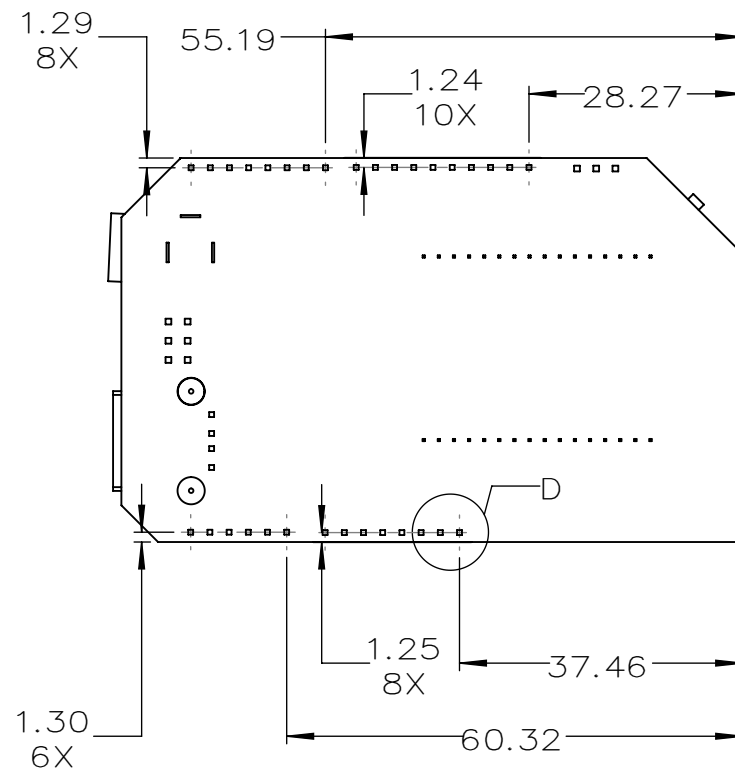
8 7 6 5 4 3 2 1

D

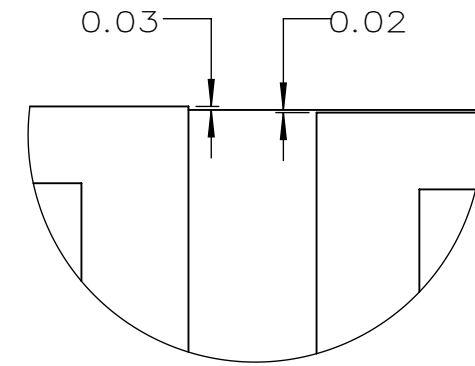
D



TOP VIEW



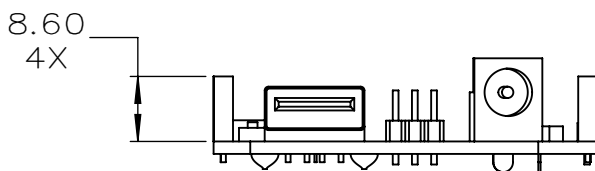
BOTTOM VIEW



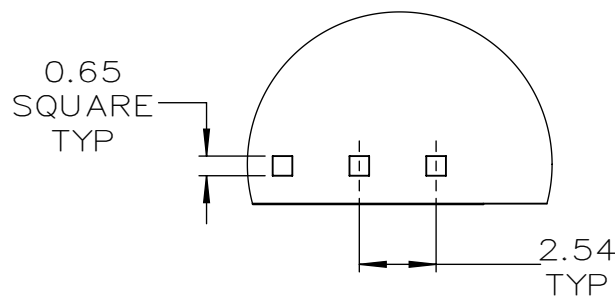
DETAIL B  
SCALE 16 : 1

C

C



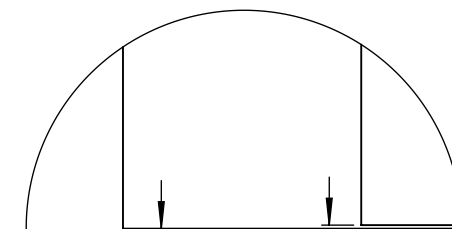
SIDE VIEW



DETAIL D  
SCALE 4 : 1

B

B



DETAIL C  
SCALE 16 : 1

A

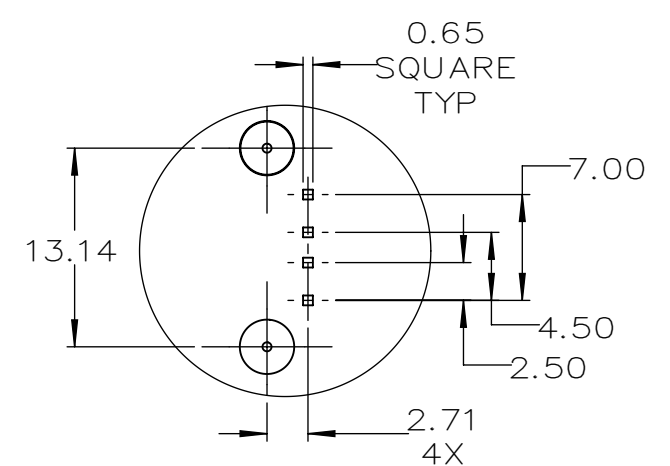
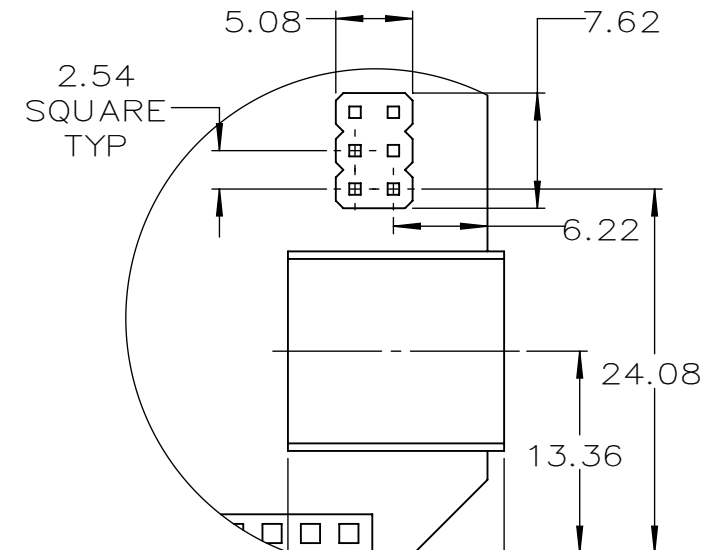
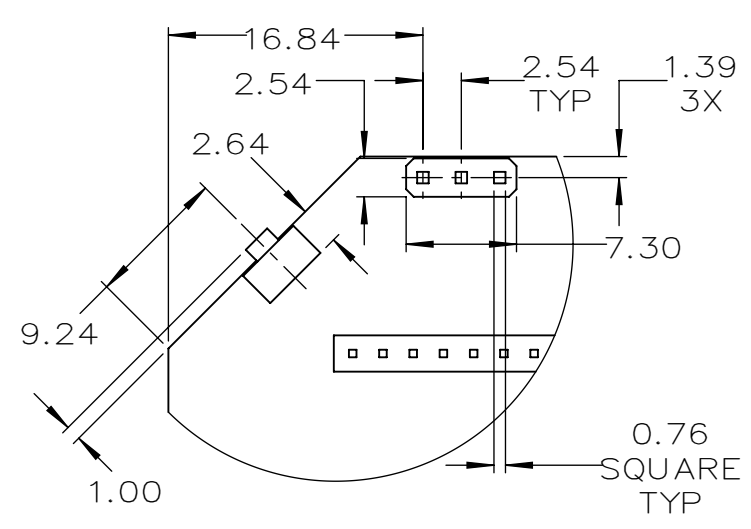
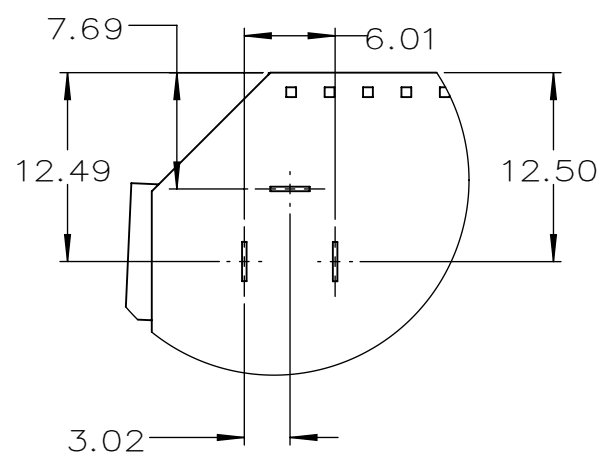
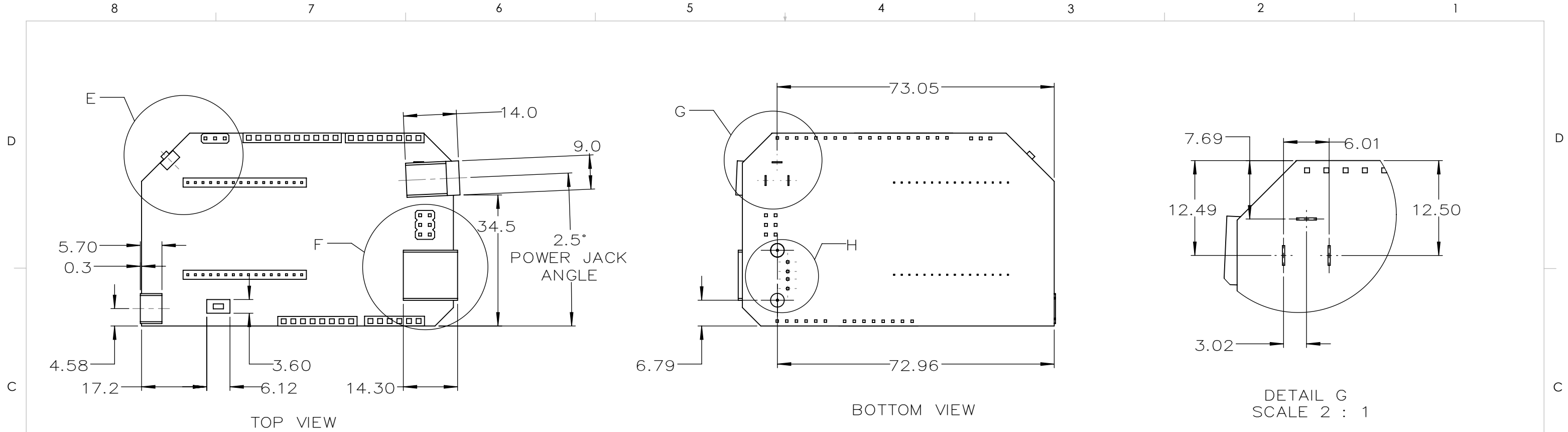
A

ARDUINO HEADERS AND PINS DIMENSIONS

ONLY MAJOR AND INTERFACING COMPONENTS SHOWN.  
THRU-HOLE PINS MAY HAVE SOLDER AT THEIR BASES.  
SLIGHT VARIATIONS MAY OCCUR DUE TO MFG.  
FOR REFERENCE ONLY; THIS IS NOT A DESIGN GUIDE.

		DIMENSION IN MM UNLESS NOTED	THE INFORMATION CONTAINED IN THIS DRAWING IS THE SOLE PROPERTY OF ONION CORPORATION. ANY REPRODUCTION IN PART OR AS A WHOLE WITHOUT THE WRITTEN PERMISSION OF ONION CORPORATION IS PROHIBITED.	
		TOLERANCES	AUTHOR	DATE
		.X. ±0.1	GO	2016-03-18
		.XX ±0.06	CHECKED	DATE
		.XXX ±0.010	APPROVED	DATE
		ANG. MACH ±0.5°	PROJECTION TYPE	
		BEND ±1°		
		MATERIAL	TITLE	
			ARDUINO DOCK	
			PART NO.	REV.
			OM-D-ARD	A2
			SCALE	SIZE
			1:1	B
			SHEET	4 OF 6
NEXT ASSY	USED ON	DO NOT SCALE DRAWING		

8 7 6 5 4 3 2 1

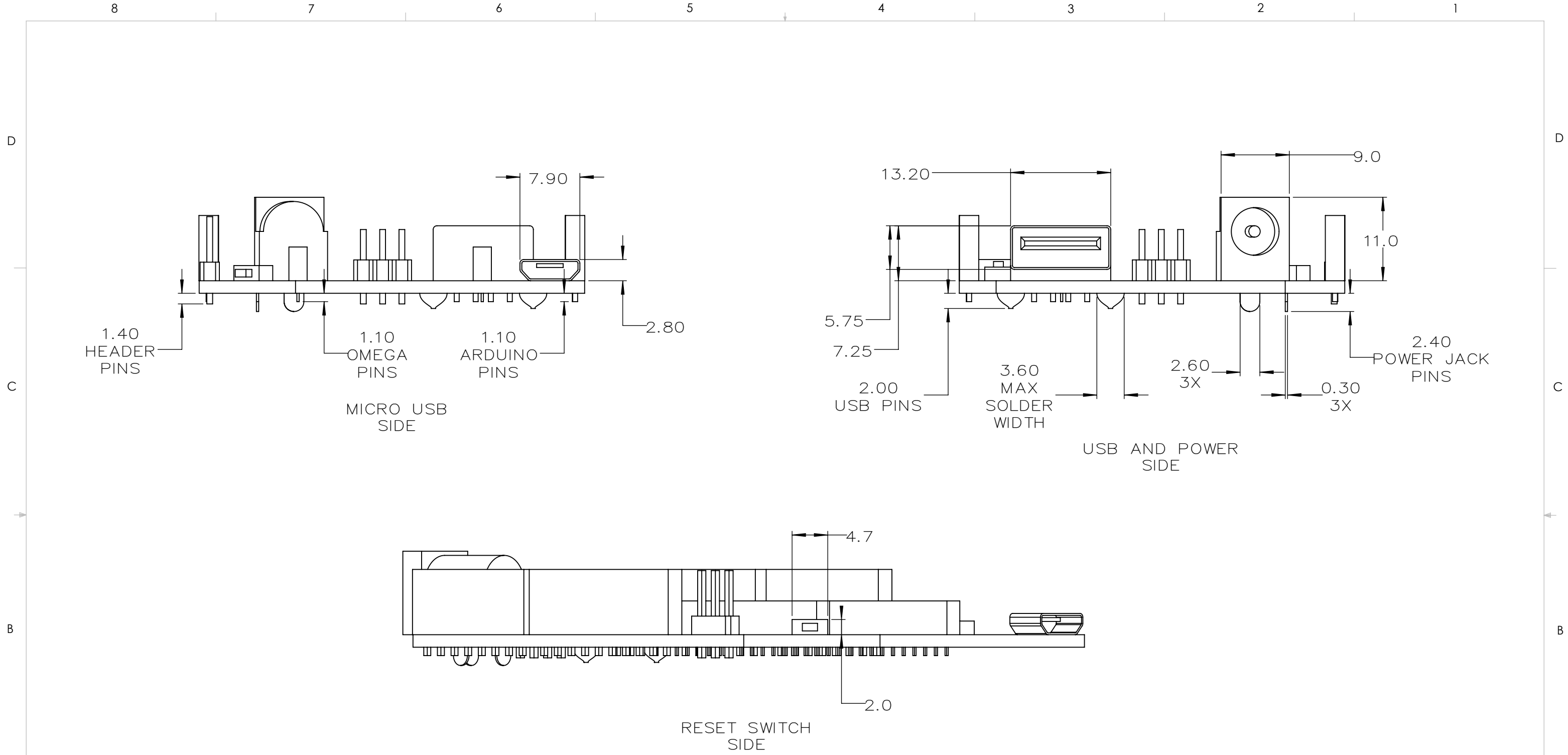


**PORTS AND SWITCHES  
DIMENSIONS AND PINS**

ONLY MAJOR AND INTERFACING COMPONENTS SHOWN.  
THRU-HOLE PINS MAY HAVE SOLDER AT THEIR BASES.  
SLIGHT VARIATIONS MAY OCCUR DUE TO MFG.  
FOR REFERENCE ONLY; THIS IS NOT A DESIGN GUIDE.

		DIMENSION IN MM UNLESS NOTED		THE INFORMATION CONTAINED IN THIS DRAWING IS THE SOLE PROPERTY OF ONION CORPORATION. ANY REPRODUCTION IN PART OR AS A WHOLE WITHOUT THE WRITTEN PERMISSION OF ONION CORPORATION IS PROHIBITED.	
		TOLERANCES		AUTHOR	DATE
		.X. ±0.1		GO	2016-03-18
		.XX ±0.06		CHECKED	DATE
		.XXX ±0.010		APPROVED	DATE
		ANG.		PROJECTION TYPE	
		MACH ±0.5°			
		BEND ±1°		TITLE	
		MATERIAL		ARDUINO DOCK	
NEXT ASSY	USED ON	DO NOT SCALE DRAWING		PART NO.	REV.
				OM-D-ARD	A2
		SCALE	SIZE	SHEET	
		1:1	B	5 OF 6	





SWITCH PROFILES AND PIN DEPTH

ONLY MAJOR AND INTERFACING COMPONENTS SHOWN.  
 THRU-HOLE PINS MAY HAVE SOLDER AT THEIR BASES.  
 SLIGHT VARIATIONS MAY OCCUR DUE TO MFG.  
 FOR REFERENCE ONLY; THIS IS NOT A DESIGN GUIDE.

		DIMENSION IN MM UNLESS NOTED	THE INFORMATION CONTAINED IN THIS DRAWING IS THE SOLE PROPERTY OF UNION CORPORATION. ANY REPRODUCTION IN PART OR AS A WHOLE WITHOUT THE WRITTEN PERMISSION OF UNION CORPORATION IS PROHIBITED.		
		TOLERANCES	AUTHOR	DATE	
		.X. ±0.1	GO	2016-03-18	
		.XX ±0.06	CHECKED	DATE	
		.XXX ±0.010	APPROVED	DATE	TITLE
		ANG.			ARDUINO DOCK
		MACH ±0.5°	PROJECTION TYPE		PART NO.
		BEND ±1°			OM-D-ARD
		MATERIAL			REV.
					A2
		DO NOT SCALE DRAWING			SCALE
					2:1
					SIZE
					B
					SHEET
					6 OF 6

NEXT ASSY      USED ON