

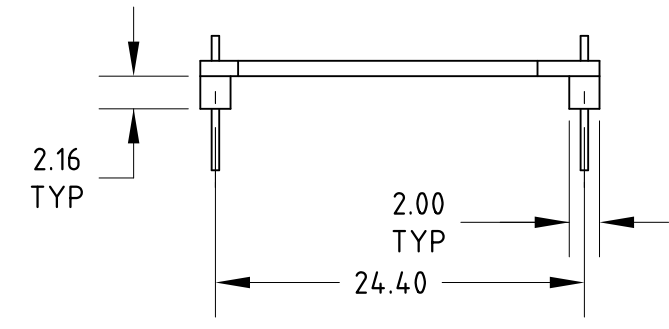
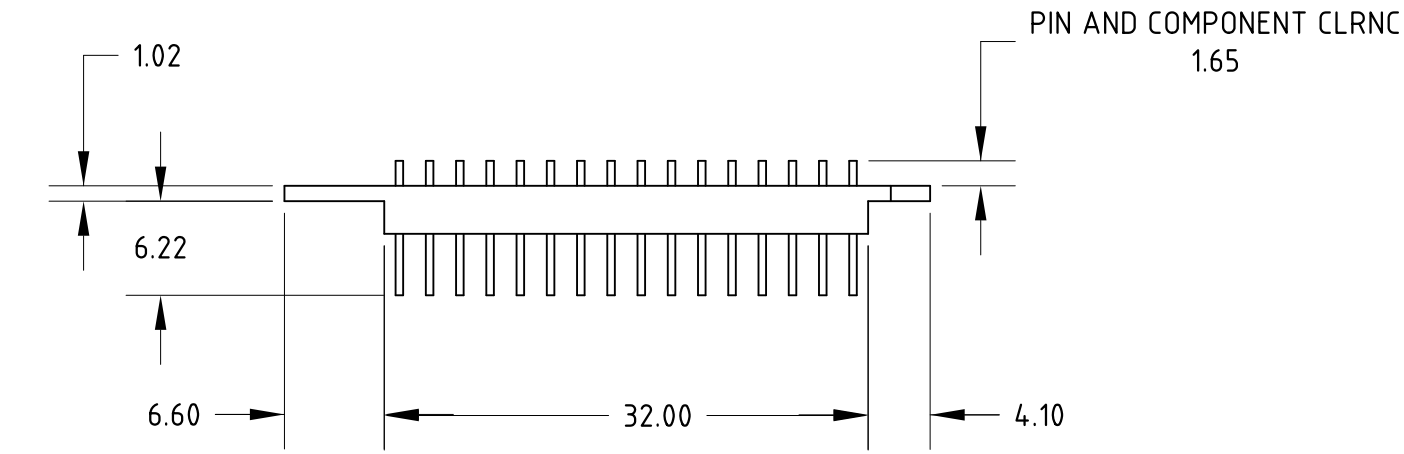
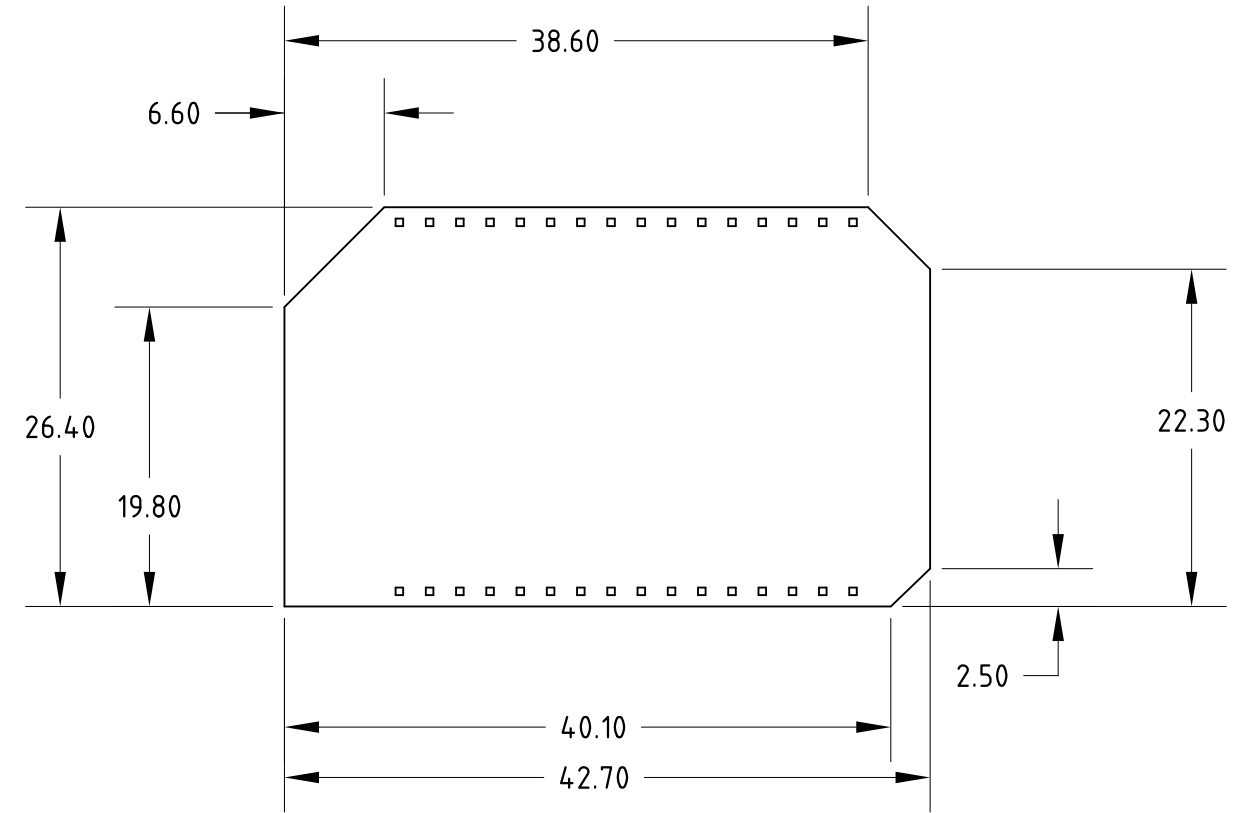
4

3

2

1

DETAIL	PAGE
GENERAL LAYOUT	1
PINS AND HEADERS	2



UNLESS OTHERWISE SPECIFIED:
DIMENSIONS ARE IN MM
.XX = ±.0-
.XXX = ±.00-
.XXXX = ±.000-
ANGULAR ∠ = ± °
FRACTIONAL = ±
SURFACE FINISH ✓

DO NOT SCALE DRAWING
BREAK ALL SHARP EDGES AND REMOVE BURRS
THIRD ANGLE PROJECTION

	NAME	DATE
DRAWN	ONION CORP.	2016-01-14
CHECKED		
APPROVED		
MATERIAL	FINISH	

TITLE		REV.
ONION OMEGA		
SIZE	DWG NO.	
B		
SCALE	WEIGHT	SHEET
2:1		1

4

3

2

1

D

D

C

C

B

B

A

A

4

3

2

1

D

D

C

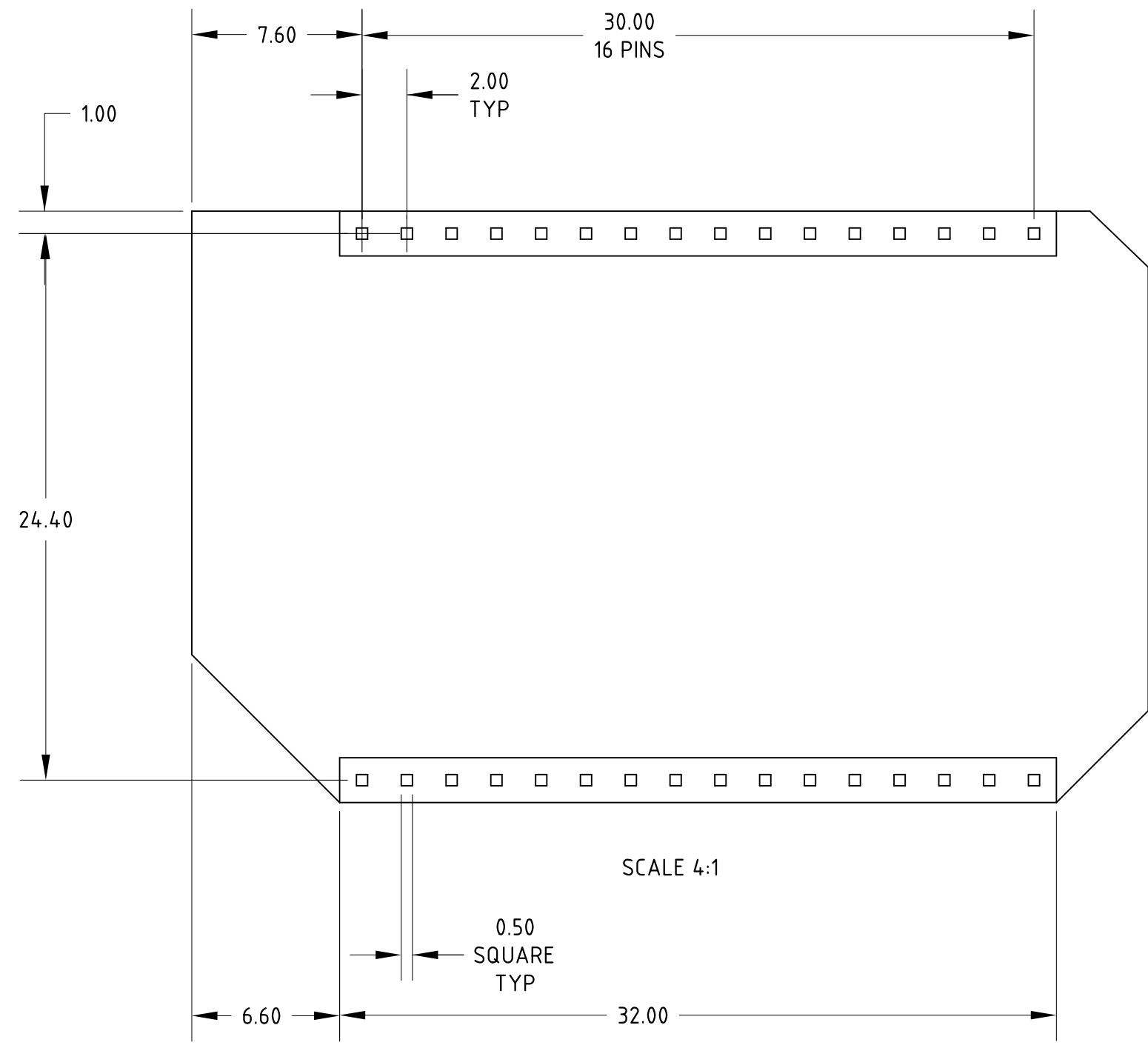
C

B

B

A

A



PIN LAYOUT

SCALE 4:1

PART #	ONION OMEGA	SHEET	2	REV.
--------	-------------	-------	---	------

4

3

2

1